



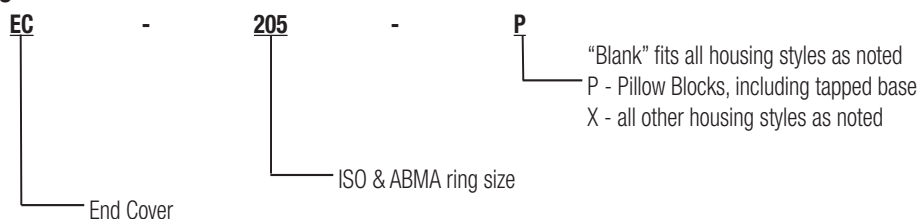
RELATED PRODUCTS

DODGE Ball Bearing End Covers*



- Fits all styles of DODGE cast iron housed ball bearings: Pillow Blocks, 2 and 4 Bolt Flanges, and Take-Up bearings
- Injected molded, impact resistant, OSHA safety yellow end covers meet requirements for exposed rotating shafts
- Stainless steel "C" Washer for gripping power
- No modification or machining of existing housings required
- Concentric knockout grooves on inside of end cover for thru-shaft
- DODGE six digit part number and description embossed inside
- Operating temperature to 250°F
- For non relubricable/sealed for life applications (-NL), part number 430020 hex head plug is available

Nomenclature



Series	Pillow Blocks Std, U, B	Tapped Base PB	2 Bolt Flange	Flanged Bracket	4 Bolt Flange	Piloted Flange (FC)	Narrow Slot Take-Up	Wide Slot Take-Up
203	X		X		X			
204	X	X	X	X	X		X	X
205	X	X	X	X	X		X	X
206	X	X	X	X	X	@	X	X
207	X	X	X	X	X	@	X	X
208	X	X	X		X	@	X	X
209	X	X	X		X	@	X	X
210	X	X	X	X	X	@	X	X
211	X	X	X		X	NA	X	X
212	X		X		X	NA	X	X
214	X				X	NA		X
215	X				X			X
216	X				X	X		X
218	X				X	X		

* = Will not fit LF, LFT, SCHB, HNGR & CLY

@ = Some modification required

NA = Will not fit

X = Will fit

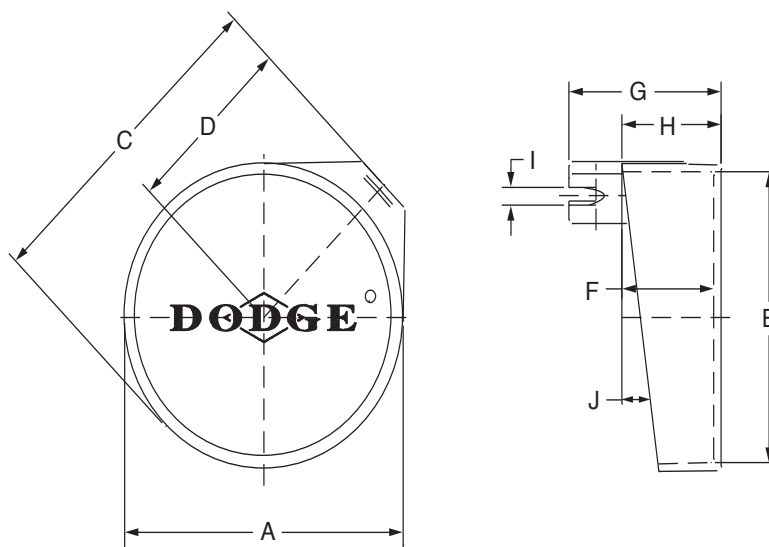
FEATURES/BENEFITS PAGE B6-3	HOW TO ORDER/NOMENCLATURE PAGE B6-5	SELECTION PAGE B6-6	SELECTION/DIMENSIONS PAGE B6-10
--------------------------------	--	------------------------	------------------------------------



RELATED PRODUCTS

D-LOK Ball Bearings

BALL BEARING END COVERS FOR PILLOW BLOCKS & TAPPED BASE UNITS



Series	Shaft Size*		Part Number	Description
	DL	DLM, DLH		
203	1/2 & 5/8 17mm	-----	128200	EC-203-P
204	1/2 - 3/4 20mm	-----	128202	EC-204-P
205	7/8 - 1 25mm	-----	128204	EC-205-P
206	1-1/16 - 1-1/4 30mm	----- 25mm	128206	EC-206-P
207	1-1/4 - 1-7/16 35mm	1-3/16 & 1-1/4 30mm	128208	EC-207-P
208	1-1/2 - 1-5/8 40mm	1-7/16 35mm	128210	EC-208-P
209	1-5/8 - 1-3/4 45mm	1-1/2 40mm	128212	EC-209-P
210	1-15/16 & 2 50mm	1-11/16 & 1-3/4 45mm	128214	EC-210-P
211	2 - 2-1/4 55mm	1-15/16 & 2 50mm	128216	EC-211-P
212	2-1/4 - 2-7/16 60mm	2-3/16 - 2-1/4 55mm	128218	EC-212-P

* NOTE: DLH uses the next larger end cover. E.G. A P2B-DLH-103 would use a EC-207-P

FEATURES/BENEFITS
PAGE B6-3

HOW TO ORDER/NOMENCLATURE
PAGE B6-5

SELECTION
PAGE B6-6

SELECTION/DIMENSIONS
PAGE B6-10



RELATED PRODUCTS

D-LOK Ball Bearings BALL BEARING END COVERS FOR PILLOW BLOCKS & TAPPED BASE UNITS

Bearing Reference Guide

ULTRA KLEEN

E-Z KLEEN

Extreme Duty

Setscrew Ball Bearing

GRIP TIGHT

D-LOK Ball Bearing

Series	Shaft Size		Weight lbs gm	A	C	D	E	F	G	H	I	J
	DL	DLM, DLH										
203	1/2 & 5/8 17mm	-----	.02 9	1-25/32 45.2	2-7/64 53.6	1-3/32 27.7	1-41/64 41.7	49/64 19.6	1-29/64 37.1	29/32 22.9	1/4 6.4	9
204	1/2 - 3/4 20mm	-----	.03 14	2-3/64 52.0	2-37/64 65.3	1-19/64 33.0	1-55/64 47.2	1-1/64 25.7	1-49/64 45.0	1-5/32 29.5	5/16 7.9	11
205	7/8 - 1 25mm	-----	.05 23	2-3/8 60.2	2-13/16 71.4	1-3/16 35.0	2-5/32 54.9	1-1/16 26.9	1-7/8 47.8	1-7/32 31.0	11/32 8.6	9
206	1-1/16 - 1-1/4 30mm	----- 25mm	.07 34	2-47/64 69.3	3-21/64 84.3	1-45/64 43.2	2-1/2 63.5	1-15/64 31.5	2-5/32 54.9	1-13/32 35.6	23/64 8.9	9
207	1-1/4 - 1-7/16 35mm	1-3/16 & 1-1/4 30mm	.11 48	3-1/4 82.6	3-51/64 96.3	1-29/32 48.5	3-1/64 76.7	1-5/16 33.3	2-11/32 59.4	1-31/64 37.6	3/8 9.4	7 30
208	1-1/2 - 1-5/8 40mm	1-7/16 35mm	.13 61	3-3/8 85.9	4.0 101.6	2-1/16 52.3	3-7/64 79.0	1-19/64 33.0	2-13/32 61.0	1-1/2 38.1	27/64 10.7	6
209	1-5/8 - 1-3/4 45mm	1-1/2 40mm	.15 69	3-11/16 93.7	4-17/64 108.2	2-11/64 55.1	3-13/32 86.6	1-21/64 33.8	2-21/64 59.2	1-17/32 38.9	25/64 9.9	7
210	1-15/16 & 2 50mm	1-11/16 & 1-3/4 45mm	.17 78	3-7/8 98.6	4-1/2 114.3	2-19/32 59.2	3-37/64 90.9	1-23/64 34.3	2-1/2 63.5	1-9/16 39.6	31/64 12.5	9
211	2 - 2-1/4 55mm	1-15/16 & 2 50mm	.22 102	4-27/64 112.3	5-1/16 128.5	2-19/32 66.0	4-1/8 104.7	1-13/32 35.8	2-37/64 65.3	1-5/8 41.2	29/64 11.4	7
212	2-1/4 - 2-7/16 60mm	2-3/16 - 2-1/4 55mm	.26 118	4-59/64 125.0	5-29/64 138.7	2-3/4 69.9	4-39/64 117.1	1-17/32 38.9	2-11/16 68.3	1-3/4 44.5	13/32 10.4	8

For no re-lube (-NL) applications, part number 430020, hex head plug is available

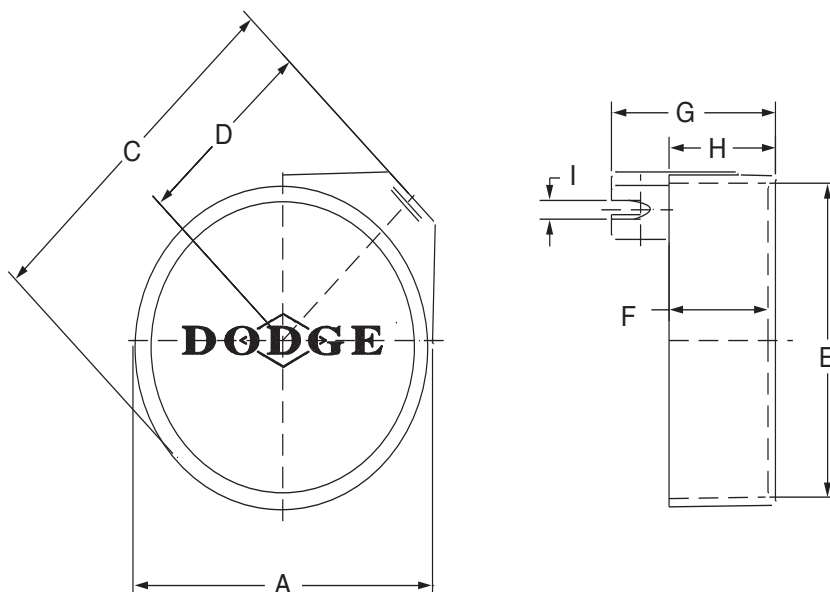
FEATURES/BENEFITS PAGE B6-3	HOW TO ORDER/NOMENCLATURE PAGE B6-5	SELECTION PAGE B6-6	SELECTION/DIMENSIONS PAGE B6-10
--------------------------------	--	------------------------	------------------------------------



RELATED PRODUCTS

D-LOK Ball Bearings

BALL BEARING END COVERS FOR MOUNTED UNITS OTHER THAN PILLOW BLOCKS & TAPPED BASE UNITS



Series	Shaft Size*		Part Number	Description
	DL	DLM, DLH		
203	1/2 & 5/8 17mm	-----	128201	EC-203-X
204	1/2 - 3/4 20mm	-----	128203	EC-204-X
205	7/8 - 1 25mm	-----	128205	EC-205-X
206	1-1/16 - 1-1/4 30mm	----- 25mm	128207	EC-206-X
207	1-1/4 - 1-7/16 35mm	1-3/16 & 1-1/4 30mm	128209	EC-207-X
208	1-1/2 - 1-5/8 40mm	1-7/16 35mm	128211	EC-208-X
209	1-5/8 - 1-3/4 45mm	1-1/2 40mm	128213	EC-209-X
210	1-15/16 & 2 50mm	1-11/16 & 1-3/4 45mm	128215	EC-210-X
211	2 - 2-1/4 55mm	1-15/16 & 2 50mm	128217	EC-211-X
212	2-1/4 - 2-7/16 60mm	2-3/16 - 2-1/4 55mm	128219	EC-212-X

* NOTE: Above end covers will not fit the LF and LFT bearings

FEATURES/BENEFITS
PAGE B6-3

HOW TO ORDER/NOMENCLATURE
PAGE B6-5

SELECTION
PAGE B6-6

SELECTION/DIMENSIONS
PAGE B6-10



RELATED PRODUCTS

D-LOK Ball Bearings BALL BEARING END COVERS FOR MOUNTED UNITS OTHER THAN PILLOW BLOCKS & TAPPED BASE UNITS

Bearing Reference Guide

ULTRA KLEEN

E-Z KLEEN

Extreme Duty

Setscrew Ball Bearing

GRIP TIGHT

D-LOK Ball Bearing

Series	Shaft Size		Weight lbs gm	A	C	D	E	F	G	H	I
	DL	DLM, DLH									
203	1/2 & 5/8 17mm	-----	0.02 10	1-51/64 45.5	2-13/64 56.1	1-3/16 30.2	1-41/64 41.7	51/64 20.3	1-29/64 37.1	15/16 23.9	1/4 6.4
204	1/2 - 3/4 20mm	-----	0.03 15	2-7/32 56.1	2-47/64 69.6	1-25/64 35.3	2-1/32 51.6	1-1/64 25.7	1-13/16 45.7	1-5/32 29.5	5/16 7.9
205	7/8 - 1 25mm	-----	0.05 24	2-3/8 60.2	3-3/64 77.2	1-19/32 40.6	2-5/32 54.9	1-1/64 25.7	1-53/64 46.5	1-11/64 29.7	11/32 8.7
206	1-1/16 - 1-1/4 30mm	----- 25mm	0.08 36	2-47/64 69.3	3-21/64 84.3	1-45/64 43.2	2-1/2 63.5	1-3/16 30.2	2-1/16 52.3	1-23/64 34.5	23/64 8.9
207	1-1/4 - 1-7/16 35mm	1-3/16 & 1-1/4 30mm	0.12 53	3-1/4 82.6	3-27/32 97.5	1-31/32 50.0	3-1/64 76.7	1-11/32 34.5	2-11/32 59.4	1-17/32 38.9	3/8 9.4
208	1-1/2 - 1-5/8 40mm	1-7/16 35mm	0.14 64	3-3/8 85.9	4.0 101.6	2-1/16 52.3	3-7/64 79.0	1-19/64 33.0	2-13/32 61.0	1-1/2 38.1	27/64 10.7
209	1-5/8 - 1-3/4 45mm	1-1/2 40mm	0.16 73	3-11/16 93.7	4-17/64 108.2	2-11/64 55.1	3-13/32 86.6	1-23/64 34.3	2-21/64 59.2	1-17/32 38.9	25/64 9.9
210	1-15/16 & 2 50mm	1-11/16 & 1-3/4 45mm	0.18 82	3-7/8 98.6	4-1/2 114.3	2-21/64 59.2	3-9/16 90.9	1-23/64 34.3	2-33/64 63.8	1-9/16 39.6	31/64 12.4
211	2 - 2-1/4 55mm	1-15/16 & 2 50mm	0.24 108	4-27/64 112.3	5-1/16 128.5	2-19/32 66.0	4-1/8 104.7	1-29/64 36.8	2-37/64 65.3	1-21/32 42.2	29/64 11.4
212	2-1/4 - 2-7/16 60mm	2-3/16 - 2-1/4 55mm	0.27 124	4-59/64 125.0	5-15/32 138.7	2-3/4 69.9	4-39/64 117.1	1-35/64 39.1	2-11/16 68.3	1-3/4 44.5	13/32 10.4

For no re-lube (_NL) applications, part number 430020, hex head plug is available

FEATURES/BENEFITS PAGE B6-3	HOW TO ORDER/NOMENCLATURE PAGE B6-5	SELECTION PAGE B6-6	SELECTION/DIMENSIONS PAGE B6-10
--------------------------------	--	------------------------	------------------------------------



RELATED PRODUCTS

D-LOK Ball Bearings

BALL BEARING END COVERS FOR MOUNTED UNITS 214 SERIES & LARGER

Series	Shaft Size		Part Number	Description
	DL, DLH	DLM		
214	2-1/2 & 2-11/16 70mm	2-7/16 & 2-1/2 65mm	128220	EC-214
215	2-15/16 75mm	2-11/16 70mm	128221	EC-215
216	-----	2-15/16 & 3 75mm	128222	EC-216
218	-----	3-7/16 & 3-1/2 85mm	128223	EC-218

Series	Shaft Size		Weight lbs gm	A	B	C	D	E	F
	DL, DLH	DLM							
214	2-1/2 & 2-11/16 70mm	2-7/16 & 2-1/2 65mm	0.33 151	4-15/16 125.5	4-7/16 112.8	2-39/64 66.3	4-39/64 117.1	4.741/4.737 120.4/120.3	2-53/64 71.9
215	2-15/16 75mm	2-11/16 70mm	0.36 154	5-3/32 129.3	4-49/64 120.9	2-29/64 62.5	4-3/4 120.7	4.944/4.940 125.6/125.5	2-7/8 72.9
216	-----	2-15/16 & 3 75mm	0.44 201	5-9/16 141.2	5-15/64 132.8	2-47/64 69.6	5-13/64 132.1	5.350/5.346 135.9/135.8	2-63/64 75.7
218	-----	3-7/16 & 3-1/2 85mm	0.57 257	6-5/16 130.3	5-29/32 149.9	2-27/32 72.1	5-15/16 150.6	6.100/6.096 154.9/154.8	3-3/32 78.5

FEATURES/BENEFITS
PAGE B6-3

HOW TO ORDER/NOMENCLATURE
PAGE B6-5

SELECTION
PAGE B6-6

SELECTION/DIMENSIONS
PAGE B6-10